



EPD-TRH-INT-POE

Manual

ATAL B.V.
Ampèrestraat 35-37
NL-1446 TR PURMEREND

Postbus 783
NL-1440 AT PURMEREND

T (+31) 0299 630 610
F (+31) 0299 630 611

E info@atal.nl
I www.atal.nl

Inhoudsopgave

Introduction.....	4
General safety rules	5
Device description and important notices.....	6
Getting started	7
What is needed for operation.....	7
Mounting the device.....	7
Device settings	8
Checking functions	9
Device setup	10
Setup using web interface.....	10
General	11
Network	11
Alarm limits.....	12
Measuring.....	13
SOAP protocol.....	14
Email	15
Modbus a Syslog protocols.....	16
SNMP	17
Time	17
WWW and security.....	18
Setup using TSensor software.....	19
Factory defaults	19
Communication protocols.....	21
Website	21
SMTP – sending e-mails	21
SNMP 22	
Modbus TCP	23
SOAP 24	
Syslog 26	
SNTP 27	
Troubleshooting	28
I forgot the device IP address	28
I cannot connect to the device.....	28
In search window is only IP and MAC address displayed	28
Device IP address is not displayed in window Find device	28
The device is not found even after manually setting MAC address	28
I forgot the password for setup	29
Factory defaults	29
Display is off.....	29
Device error states	30
Technical specifications.....	31
Dimensions.....	31
General parameters	33
Measured values	34
Temperature measurement.....	34
Relative humidity measurement.....	35
Atmospheric pressure measurement	35
Computed quantities	35
Dew point temperature	35

Specific humidity.....	36
Mixing ratio.....	36
Specific enthalpy.....	36
Absolute humidity	37
Operating terms.....	37
End of operation	37
Technical support and service.....	38
Preventive maintenance	38
Optional accessories.....	39
Temperature probe Pt1000 for Web Sensor EPD-T-POE.....	39
Power supply Adapter EPD-AC01	39
Probes holder for RACK 19" ATS-AC21	39
Vessel for calibration of humidity and humidity standards	39
Database software CDB-WIN.....	39

Introduction

This chapter provides basic information about device. Before starting please read this manual carefully.

The Web Sensor devices are designed for measurement of temperature, relative humidity and atmospheric pressure in air without aggressive substances. Measured quantities are according device type. Devices with relative humidity measurement can show one of computed quantities: dew point temperature, absolute humidity, mixing ratio and specific enthalpy. Temperature units are °C or °F. Pressure units are hPa, PSI, inHg, mBar, oz/in², mmHg, inH₂O and kPa. Communication interface of Web Sensors is Ethernet. Web Sensor can be powered from external power supply adapter or by power over Ethernet – PoE. Device types:

Type	Temperature	Relative humidity	Pressure	Computed quantity
EPD-T-INT-POE	✓			
EPD-T-POE	✓			
EPD-TRH-INT-POE	✓	✓		✓
EPD-TRH-POE	✓	✓		✓
EPD-TRHP-INT-POE	✓	✓	✓	✓
EPD-TRHP-POE	✓	✓	✓	✓

General safety rules

The following summary is used to reduce the risk of injury or damage the device. To prevent injury, please follow instructions.



The device can be serviced only by a qualified person. The device contains no serviceable parts inside.

Don't use the device, if it doesn't work correctly. If you think, that the device is not working correctly, let check it by qualified service person.

It's forbidden to use the device without the cover. Inside the device can be a dangerous voltage and may be risk of electric shock.

Use only the appropriate power supply adapter according to manufacturer specifications and approved according to relevant standards. Make sure, that the adapter does not have damaged cables or covers.

Connect the device only to network parts approved according to relevant standards. Where power over Ethernet is used, the network infrastructure must be compatible with IEEE 802.3af standard.

Connect and disconnect the device properly. Don't connect or disconnect Ethernet cable or probes, if the device is powered.

The device may be installed only in prescribed areas. Never expose the device to higher or lower temperatures than is allowed. The device has not improved resistance to moisture. Protect it from dripping or splashing water and do not use at areas with condensation.

Devices are not designed for locations with chemically aggressive environment. Temperature and humidity sensors must not be exposed to direct contact with water or other liquids. It is not allowed to remove the sensor cover to avoid any mechanical damage of the sensors.

Don't use device in explosive environments.

Don't stress the device mechanically.

Device description and important notices

This chapter contains information about basic features. Also there are important notices concerning to functional safety.

Measured values can be displayed on LCD display or can be read using an Ethernet connection. The following formats are supported:

- Web pages with user changeable look and XML files
- Modbus TCP protocol
- SNMPv1 protocol
- SOAP protocol

The device can also be used to check measured values and if the limit is exceeded, device sends warning messages. Possible ways to sending warning messages:

- Sending e-mails up to 3 e-mail addresses
- Sending SNMP traps up to 3 configurable IP addresses
- Displaying the alarm status on web page
- Sending messages to Syslog server

The device setup can be made by the TSensor software or web interface.

If you want to use PoE, you must use PoE switch compatible with IEEE 802.3af standard. As a low cost solution can be recommended Reputec switch RP-PE8T/4.



IEC 61508.

Reliability of warning messages delivering (e-mail, trap, syslog), depends on actual availability of necessary network services. The device should not be used for critical applications, where malfunction could cause to injury or loss of human life. For highly reliable systems, redundancy is essential. For more information please see standard



Never connect the device directly to the Internet. If it is necessary connect the device to the Internet, properly configured firewall must be used. Firewall can be partially replaced by the NAT.

Getting started

Here you can find information necessary to put newly purchased equipment to operation. This procedure is only informative.

What is needed for operation

To install the unit you need to the following equipment. Before installation check if it's available.

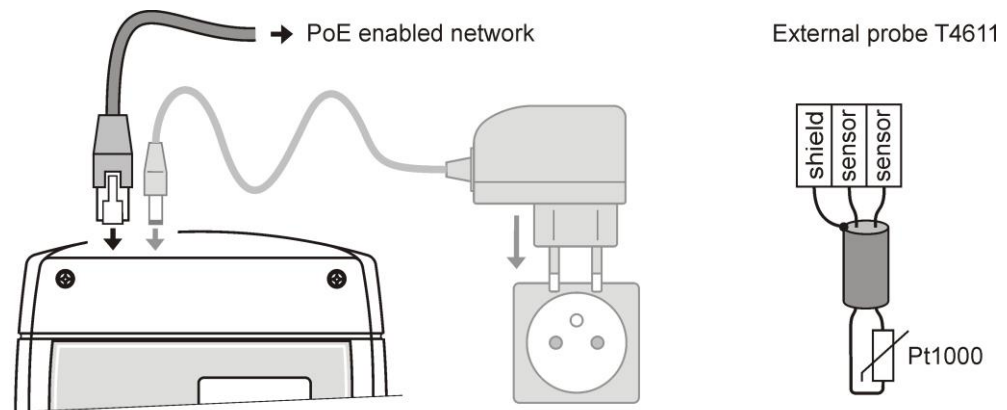
- Web Sensor EPD-xxxxxx-POE device
- power supply adapter 5V/250mA or switch with PoE feature
- RJ45 LAN connection with appropriate cable
- free IP address in your network
- for Web Sensor EPD-T-POE is required temperature probe Pt1000/3850ppm, connected by shielded cable with maximum length 10m

Mounting the device

- check if the equipment from previous chapter is available
- install the latest version of TSensor software. This software is used to all device settings.
- TSensor software can be free downloaded from the manufacturer's website. Software can be also supplied on CD. Device configuration can be made using web interface. For web configuration is not TSensor software necessary.
- contact your network administrator to obtain following information for the connection to the network:

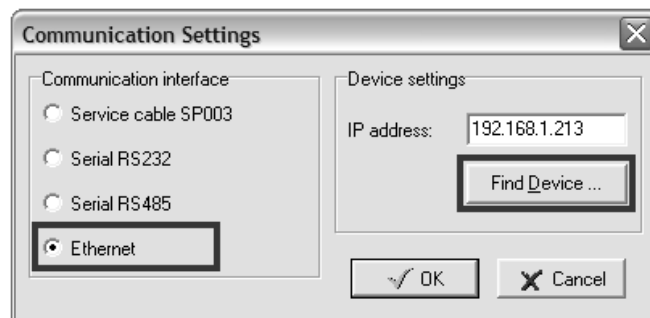
IP address:	_____
Default gateway:	_____
DNS serer IP:	_____
Subnet mask:	_____

- check if there is no IP address conflict when you connect the device into network for the first time. The device has from factory set the IP address to **192.168.1.213**. This address must be changed according to information from the previous point. When you installing several new devices, connect them to the network one after another.
- connect probe Pt1000 to Web Sensor EPD-T-POE
- connect the Ethernet connector
- if the power over Ethernet (PoE) is not used, connect the power adapter 5V/250mA
- LEDs on LAN connector should blink after connecting the power and LCD start showing measured values.

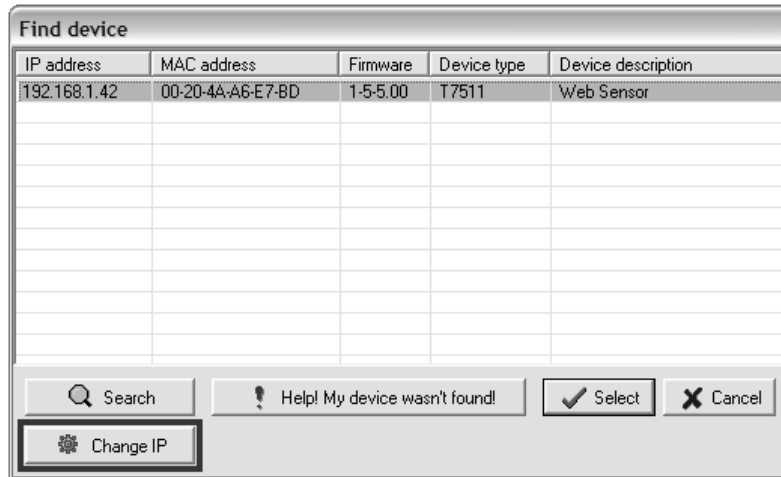


Device settings

- run configuration software TSensor on your PC
- switch to an **Ethernet** communication interface
- press button **Find device...**



- the window shows all available devices on your network



- click to **Change IP** to set new address according to network administrator instructions. If your device is not listed, then click **Help! My device wasn't found!** Then follow the instructions. MAC address is on product label. The device is factory set to IP **192.168.1.213**.



- gateway may not be entered if you want to use the device only in local network. If you set the same IP address which is already used, the device will not work correctly and there will be collisions on the network. If the device detects a collision of IP address then reboot is performed automatically.
- after changing IP address device is restarted and new IP address is assigned. Restart of the device takes about 10 seconds.
- connect to device using TSensor software and check the measured values. Set the other parameters (alarm limits, SMTP server, etc.). Settings are saved after click on button **Save changes**.

Checking functions

The last step is to check measured values on the device website. In the address bar of the web browser, enter the device IP address. If the default IP address was not changed, then insert **http://192.168.1.213**.

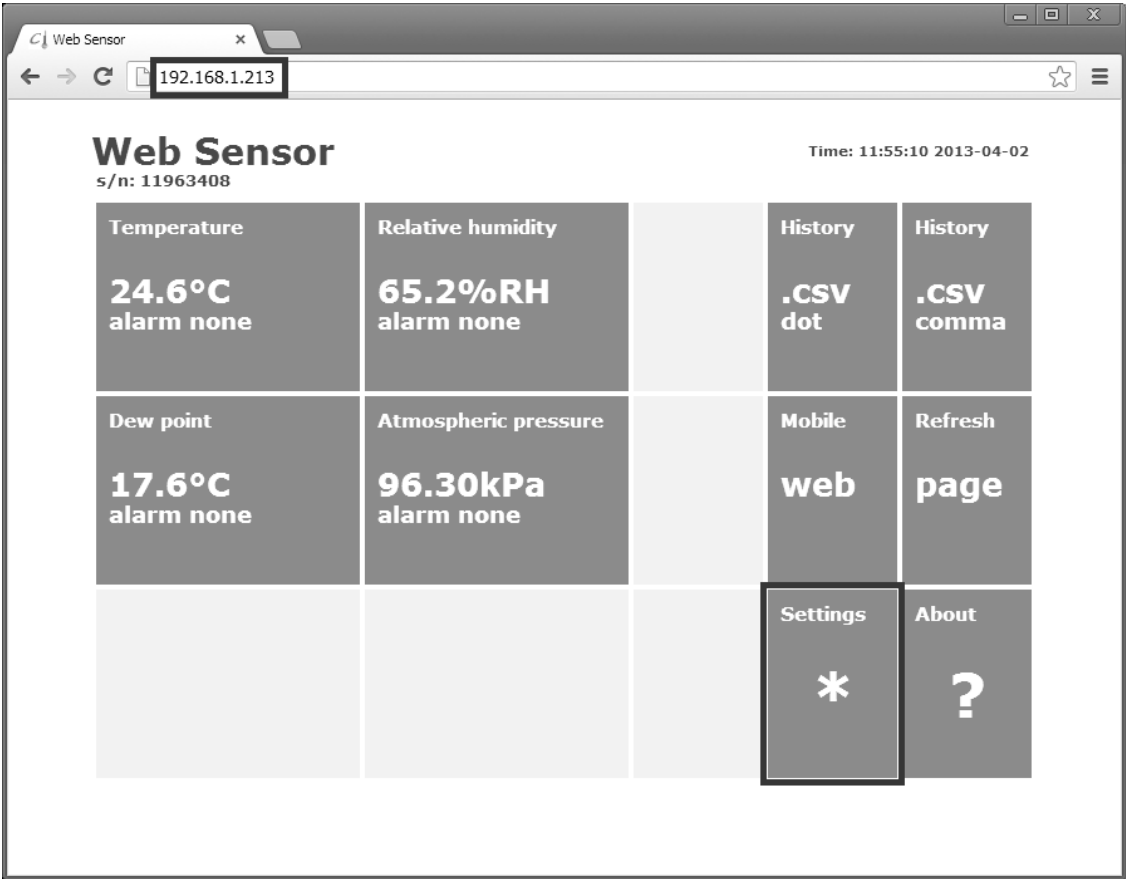
Displayed web page lists actual measured values. If the web pages are disabled, you can see text **Access denied**. In the case of measurement error a text **Error** is shown instead value.

Device setup

This chapter describes basic device configuration. There is a description of settings using web interface.

Setup using web interface

Device can be setup using web interface or TSensor software. Web interface can be managed by the web browser. Main page will be shown when you insert device address into address bar of your web browser. There you find actual measured values. Page with history graphs is shown when you click to tile with actual values. Access to device setup is possible via tile **Settings**.



General

Device name can be changed using item **Device name**. Measured values are stored into memory according **History storage interval** field. After changing of this interval all history values will be cleared. Changes must be confirmed by **Apply settings** button.

Settings **General**

Back
Exit to main menu

General
General device settings

Network
Basic settings of the network interface

Alarm limits
Configuration of the alarm limits

Measuring
Units, display settings, etc.

SOAP protocol
Setup SOAP protocol for database system

Email
Alarm emails configuration

Protocols
Syslog and ModbusTCP protocol settings

SNMP
SNMPv1 protocol and SNMP Traps

Time
Synchronization with NTP server

WWW and Security
Web server and Security configuration

Maintenance
Factory defaults, info, etc.

General device settings. Device name can be changed to user specified name. History graphs and tables will be cleared after changing history storage interval.

Device name

History storage interval

Network

Network parameters can be obtain automatically from DHCP server using option **Obtain an IP address automatically**. Static IP address is configurable via field **IP address**. It is not necessary setup **Default gateway** while you use device inside one subnet only. **DNS server IP** is required to set for proper function of DNS. Option **Standard subnet mask** sets network mask automatically according A, B or C network class. **Subnet mask** field must be set manually, when network with non-standard range is used. **Periodic restart interval** enables to restart device after selected time since device start.

Settings **Network**

Back
Exit to main menu

General
General device settings

Network
Basic settings of the network interface

Alarm limits
Configuration of the alarm limits

Measuring
Units, display settings, etc.

SOAP protocol
Setup SOAP protocol for database system

Email
Alarm emails configuration

Protocols
Syslog and ModbusTCP protocol settings

SNMP
SNMPv1 protocol and SNMP Traps

Time
Synchronization with NTP server

WWW and Security
Web server and Security configuration

Maintenance
Factory defaults, info, etc.

Basic settings of the network interface. IP address can be set as either static or obtained automatically by the DHCP server. After saving the setting, device will be rebooted automatically. Before changing IP address, please contact your network administrator.

Obtain an IP address automatically

IP address

Default gateway

DNS server IP

Standard subnet mask

Subnet mask

Periodic restart interval

Alarm limits

For each measurement channel is possible to set upper and lower limits, time-delay for alarm activation and hysteresis for alarm clearing.

Back
Exit to main menu

Settings Alarm limits

General
General device settings

Network
Basic settings of the network interface

Alarm limits
Configuration of the alarm limits

Measuring
Units, display settings, etc.

SOAP protocol
Setup SOAP protocol for database system

Email
Alarm emails configuration

Protocols
Syslog and ModbusTCP protocol settings

SNMP
SNMPv1 protocol and SNMP Traps

Time
Synchronization with NTP server

WWW and Security
Web server and Security configuration

Maintenance
Factory defaults, info, etc.

Configuration of the alarm limits. The safe range is between high and low limit. Alarm condition occurs while measured value is out of the safe range for selected time delay. Alarm is cleared if measured value returns to safe range with hysteresis.

Temperature limits
Actual value: 21.8 °C

High limit [°C]	Low limit [°C]	Hysteresis [°C]	Time delay [sec]
50.0	0.0	1.0	30

Relative humidity limits
Actual value: 66.3%RH

High limit [%RH]	Low limit [%RH]	Hysteresis [%RH]	Time delay [sec]
80.0	20.0	1.0	30

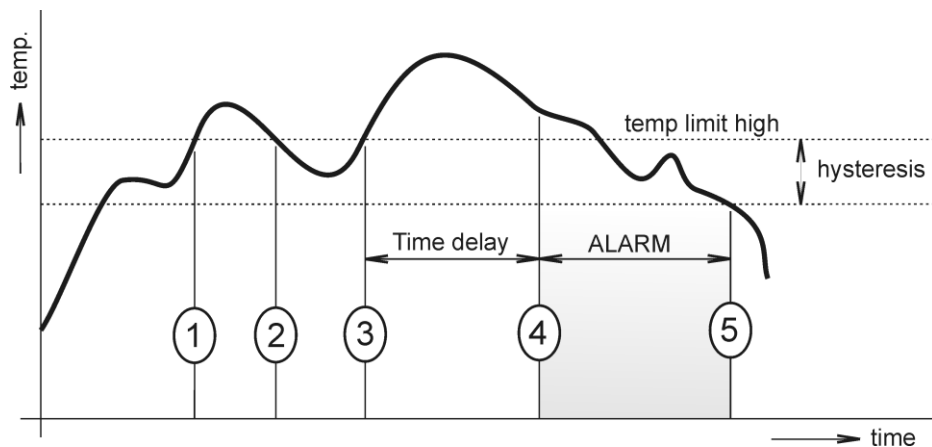
Dew point limits
Actual value: 15.3°C

High limit [°C]	Low limit [°C]	Hysteresis [°C]	Time delay [sec]
50.0	0.0	1.0	30

Atmospheric pressure limits
Actual value: 96.09kPa

High limit [kPa]	Low limit [kPa]	Hysteresis [kPa]	Time delay [sec]
100.00	70.00	1.00	30

Example of setting the limit to the upper alarm limit:



In Point 1 the temperature exceeded the limit. From this time, the time-delay is counting. Because at point 2 the temperature dropped below the limit value before the time delay expired, alarm was not set.

In Point 3 the temperature has risen over limit again. During the time-delay the value does not drop below the set limit, and therefore was in Point 4 caused alarm. At this moment were sent e-mails, traps and set alarm flag on website, SNMP and Modbus.

The alarm lasted up to Point 5, when the temperature dropped below the set hysteresis (temperature limit – hysteresis). At this moment was active alarm cleared and e-mail sent.

When alarm occurs, alarm messages will be sent. In case of power failure or device reset (e.g. changing the configuration) will new alarm state evaluated and new alarm messages will be sent.

Measuring

Page contains settings of the measuring part of the device. Settings can be saved only if jumper inside device is closed. Fields in this page are shown according device type.

It is possible set visibility of measured values on device LCD. Display can be switched off. Units of measured and computed quantities are selectable by fields **Temperature unit**, **Computed value** and **Atmospheric pressure unit**. Devices without atmospheric pressure measurement have field **Pressure value for computed values**. Here is required to set pressure for calculation of computed quantities. Pressure compensation for altitude above sea-level is possible via **Atmospheric pressure offset**. This offset depends on current altitude. This value is added to measured atmospheric pressure, final value must be in range 300hPa to 1350hPa.

[Back](#)
Exit to main menu

Settings Measuring

- General**
General device settings
- Network**
Basic settings of the network interface
- Alarm limits**
Configuration of the alarm limits
- Measuring**
Units, display settings, etc.
- SOAP protocol**
Setup SOAP protocol for database system
- Email**
Alarm emails configuration
- Protocols**
Syslog and ModbusTCP protocol settings
- SNMP**
SNMPv1 protocol and SNMP Traps
- Time**
Synchronization with NTP server
- WWW and Security**
Web server and Security configuration
- Maintenance**
Factory defaults, info, etc.

Display
Display can be configured to show required values. It is recommended to switch off display when device is used in temperature over 70°C.

LCD enabled

Show Temperature

Show Relative humidity

Show Computed value

Show Atmospheric pressure

Units
Device measures values according selected physical units. History graphs and tables will be cleared after changing units.

Temperature Unit

Computed value

Atmospheric pressure Unit

Other settings
Compensation of measured values and other settings. For more information read the user guide carefully.

Pressure value for computed values [hPa]

Atmospheric pressure offset [hPa]

SOAP protocol

SOAP protocol can be enabled by option **SOAP protocol enabled**. IP address of the destination http server is configurable via **SOAP server IP address** filed. For setup of destination server port can be used option **SOAP server port**. Target place of the http server can be set via **SOAP server target place**. Device send SOAP message according selected **Sending interval**. Option **Send SOAP message when alarm occurs** sends message when an alarm on channel occurs or alarm is cleared. These SOAP messages are sent asynchronously to selected interval.

[Back](#)
Exit to main menu

Settings SOAP

General
General device settings

Network
Basic settings of the network interface

Alarm limits
Configuration of the alarm limits

Measuring
Units, display settings, etc.

SOAP protocol
Setup SOAP protocol for database system

Email
Alarm emails configuration

Protocols
Syslog and ModbusTCP protocol settings

SNMP
SNMPv1 protocol and SNMP Traps

Time
Synchronization with NTP server

WWW and Security
Web server and Security configuration

Maintenance
Factory defaults, info, etc.

Setup SOAP protocol for database system. Actual measured values are sent as XML files. For more information please read the user guide for database system.

SOAP protocol enabled

SOAP server IP address

SOAP server port

SOAP server target place

Sending interval

Send SOAP message when alarm occurs

Email

Email sending enabled option allows email features. It is necessary set address of the SMTP server into **SMTP server address** field. Domain name for SMTP server can be used. Default port of the SMTP server can be changed using item **SMTP server port**. SMTP authentication can be enabled using **SMTP authentication** option. When authentication is enabled **Username** and **Password** must be set.

For successfully email sending it is necessary insert **Email sender address**. This address is usually same as username of the SMTP authentication. Into fields **Recipient 1** to **Recipient 3** it is possible set address of email recipients. Option **Short email** enable sending emails in short format. This format is usable when you need to forward emails into SMS messages.

When option **Alarm email repeat sending interval** is enabled and there is active alarm on channel, then emails with actual values are sent repeatedly. **Info email sending interval** option enables sending emails at selected time interval. CSV history file can be sent together with the repeat/info emails. This feature can be enabled by **Alarm and Info emails attachment** option.

It is possible to test email function using button **Apply and test**. This button save a new settings and send a testing email immediately.

[Back](#)
Exit to main menu

Settings Email

General
General device settings

Network
Basic settings of the network interface

Alarm limits
Configuration of the alarm limits

Measuring
Units, display settings, etc.

SOAP protocol
Setup SOAP protocol for database system

Email
Alarm emails configuration

Protocols
Syslog and ModbusTCP protocol settings

SNMP
SNMPv1 protocol and SNMP Traps

Time
Synchronization with NTP server

WWW and Security
Web server and Security configuration

Maintenance
Factory defaults, info, etc.

Configuration of the alarm emails. Device can send warning email when alarm on measured channel occurs. Email is also sent when alarm condition is cleared.

Email sending enabled

SMTP server configuration
For proper email sending it is necessary to setup connection to your SMTP server. SMTP authentication can be used if needed. For information about SMTP server settings please contact your network administrator or ISP.

SMTP server address

SMTP server port

SMTP authentication

Username

Password

Email configuration
Setup up to three address for email recipients. Sender address is usually the same as the username of the SMTP authentication.

Email sender address

Recipient 1

Recipient 2

Recipient 3

Short email

Alarm email repeat sending interval

Info email sending interval

Alarm and Info emails attachment

Modbus a Syslog protocols

ModbusTCP and Syslog protocol settings are configurable via menu **Protocols**. Modbus server is enabled by default. Deactivation is possible via **Modbus server enabled** option. Modbus port can be changed via **Modbus port** field. Syslog protocol can be enabled using item **Syslog enabled**. Syslog messages are sent to IP address of the Syslog server - field **Syslog server IP address**.

[Back](#)
Exit to main menu

Settings Protocols

General
General device settings

Network
Basic settings of the network interface

Alarm limits
Configuration of the alarm limits

Measuring
Units, display settings, etc.

SOAP protocol
Setup SOAP protocol for database system

Email
Alarm emails configuration

Protocols
Syslog and ModbusTCP protocol settings

SNMP
SNMPv1 protocol and SNMP Traps

Time
Synchronization with NTP server

WWW and Security
Web server and Security configuration

Maintenance
Factory defaults, info, etc.

ModbusTCP protocol
Configuration of the ModbusTCP protocol. Actual measured values can be read using ModbusTCP protocol. Modbus registers are described inside the user manual.

Modbus server enabled

Modbus port

Syslog protocol
Configuration of the Syslog protocol. Alarm messages can be sent to the Syslog server using UDP protocol.

Syslog enabled

Syslog server IP address

SNMP

For reading values via SNMP it is necessary to know password - **SNMP read community**. SNMP Trap can be delivered up to three IP address - **IP address of the Trap recipient**. SNMP Traps are sent at alarm or error state on the channel. Trap feature can be enabled by option **Trap enabled**.

[Back](#)
Exit to main menu

Settings SNMP

General
General device settings

Network
Basic settings of the network interface

Alarm limits
Configuration of the alarm limits

Measuring
Units, display settings, etc.

SOAP protocol
Setup SOAP protocol for database system

Email
Alarm emails configuration

Protocols
Syslog and ModbusTCP protocol settings

SNMP
SNMPv1 protocol and SNMP Traps

Time
Synchronization with NTP server

WWW and Security
Web server and Security configuration

Maintenance
Factory defaults, info, etc.

Configuration of the SNMPv1 protocol and SNMP Traps. Actual measured values can be read using SNMP protocol. When alarm on channel occurs a warning message (Trap) can be sent to selected IP addresses.

SNMP read community

Trap enabled

IP address of the Trap recipient 1

IP address of the Trap recipient 2

IP address of the Trap recipient 3

Time

Time synchronization with SNTP server can be enabled by **Time synchronization enabled** option. IP address of the SNTP is necessary to set into **SNTP server IP address** item. SNTP time is synchronized at UTC format, and due to be necessary set corresponding time offset - **GSM offset [min]**. Time is synchronized every 24 hours by default. Option **NTP synchronization every hour** decrease this synchronization interval to one hour.

[Back](#)
Exit to main menu

Settings Time

General
General device settings

Network
Basic settings of the network interface

Alarm limits
Configuration of the alarm limits

Measuring
Units, display settings, etc.

SOAP protocol
Setup SOAP protocol for database system

Email
Alarm emails configuration

Protocols
Syslog and ModbusTCP protocol settings

SNMP
SNMPv1 protocol and SNMP Traps

Time
Synchronization with NTP server

WWW and Security
Web server and Security configuration

Maintenance
Factory defaults, info, etc.

Time can be synchronized according the SNTP server. To correct time is necessary set GMT offset of your time zone.

Time synchronization enabled

SNTP server IP address

GMT offset [min]

NTP synchronization every hour

WWW and security

Security features can be enabled by the **Security enabled** option. When security is enabled it is necessary to set administrator password. This password will be required for device settings. When secured access is required even to actual values reading it is possible to enable **User account only for viewing enabled**. Port of the www server can be changed from the default value 80 using field **WWW port**. Web pages with actual values are refreshed according to **Web refresh interval** field.

Back Exit to main menu	<h1>Settings</h1>	<h2>WWW and Security</h2>
General General device settings	Security Configuration of the secure access to the device. Administrator password must be inserted if security is enabled. Administrator password is used for device configuration. User password is used only for measured values viewing.	
Network Basic settings of the network interface	Security enabled <input checked="" type="checkbox"/>	
Alarm limits Configuration of the alarm limits	Administrator username <input type="text" value="admin"/>	
Measuring Units, display settings, etc.	Administrator password <input type="password" value="....."/>	
SOAP protocol Setup SOAP protocol for database system	Confirm Administrator password <input type="password" value="....."/>	
Email Alarm emails configuration	User account only for viewing enabled <input checked="" type="checkbox"/>	
Protocols Syslog and ModbusTCP protocol settings	User username <input type="text" value="user"/>	
SNMP SNMPv1 protocol and SNMP Traps	User password <input type="password" value="....."/>	
Time Synchronization with NTP server	Confirm User password <input type="password" value="....."/>	
WWW and Security Web server and security configuration	Web server Configuration of the embedded web server. After web port changing, device will be rebooted with new port.	
Maintenance Factory defaults, info, etc.	Web server enabled <input checked="" type="checkbox"/>	
	WWW port <input type="text" value="80"/>	
	Web refresh interval <input type="text" value="10 Sec"/>	
	<input type="button" value="Apply settings"/> <input type="button" value="Cancel changes"/>	

Setup using TSensor software

TSensor software is an alternative to web configuration. Some less important parameters are configurable only by the TSensor software. TSensor software allows user adjustment of measured values.

Parameter **MTU size** can reduce size of the Ethernet frame. Lowering of this size can solve some communication problems mainly with Cisco network infrastructure.

Factory defaults

Factory defaults field set the device into factory configuration. Network parameters (IP address, Subnet mask, Gateway, DNS) are left without changes. Settings relating to measurement are not restored by factory defaults.

Network parameters are changed while you close jumper and push button inside device during connecting power supply. Factory parameters settings:

Parameter	Default value
SMTP server address	example.com
SMTP server port	25
Alarm email repeat sending interval	off
Info email repeat sending interval	off
Alarm and Info emails attachment	off
E-mail recipients addresses	cleared
E-mail sender	sensor@IP
SMTP authentication	off
SMTP user/SMTP password	cleared
E-mail sending enabled	off
IP addresses SNMP traps recipients	0.0.0.0
Password for SNMP reading	public
Sending SNMP Trap	off
Website refresh interval [sec]	10
Website enabled	yes
Website port	80
Security	off

Administrator password		cleared
User password		cleared
Modbus port		502
Modbus server enabled		yes
History storage interval [sec]		60
SOAP server IP address		0.0.0.0
SOAP server port		80
SOAP server target place		cleared
SOAP sending interval [sec]		60
SOAP message when alarm occurs		yes
SOAP protocol enabled		off
Syslog server IP address		0.0.0.0
Syslog protocol enabled		off
SNTP server IP address		217.31.205.226
GMT offset [min]		0
NTP synchronization every hour		off
SNTP synchronization enabled		off
MTU		1400
Periodic restart interval		off
Demo mode		off
Temperature	High limit	50
	Low limit	0
	Hysteresis	1
	Time delay [sec]	30
Relative humidity	High limit	80
	Low limit	20
	Hysteresis	1
	Time delay [sec]	30
Computed quantity	High limit	50
	Low limit	0
	Hysteresis	1
	Time delay [sec]	30
Atmospheric pressure	High limit	1000
	Low limit	700
	Hysteresis	12
	Time delay [sec]	30
Device name		Web Sensor

Communication protocols

Short introduction to communication protocols of the device. To use some communication protocols is necessary software, which can use the protocol. This software is not included. For detailed description of protocols and application notes please contact your distributor.

Website

The device supports displaying of measured values, history graphs and configuration using web browser. History graphs are based on HTML5 canvas. Web browser must support this feature for proper function of graphs. Firefox, Opera, Chrome or Internet Explorer 9 can be used. If the device has IP address **192.168.1.213** type into your browser **http://192.168.1.213**. Using TSensor software or web interface can be set automatic webpages refresh in interval. The default value is 10sec. Actual measured values can be obtained using XML file **values.xml**.

Values from history can be exported in CSV format. History storage interval can be set using TSensor software or web interface. History is erased after every reboot of the device. Reboot of the device is performed when the power supply is disconnected and also after configuration change.

The device allows you to customize the design of web pages. For detailed information please contact your distributor.

SMTP – sending e-mails

When measured values are over the set limits, the device allows send e-mail to a maximum of 3 addresses. E-mail is send when alarm condition on the channel is cleared or a measuring error occurs. It is possible to set repeat interval for email sending. For correct sending of e-mails it is necessary to set address of SMTP server. Domain address can be used as SMTP server address too. For proper function of DNS is required to set DNS server IP address. SMTP authentication is supported but SSL/STARTTLS not. Standard SMTP port 25 is used by default. SMTP port can be changed. Contact your network administrator to obtain configuration parameters of your SMTP server. E-mail sent by the device cannot be answered.

SNMP

Using SNMP protocol you can read actual measured values, alarm status and alarm parameters. Via SNMP protocol is also possible to get last 1000 measured values from history table. Writing via SNMP protocol is not supported. It is supported **SNMPv1** protocol version only. SNMP used **UDP port 161**. OID keys description can be found in the MIB table, which can be obtained from device website or from your distributor. The password for reading is factory set to **public**. The changes can be made using TSensor software or web interface. OID keys:

OID	Description	Type
.1.3.6.1.4.1.22626.1.2.1		
.1.3.6.1.4.1.22626.1.2.1.1	Actual measured temperature	String
.1.3.6.1.4.1.22626.1.2.1.2	Actual measured relative humidity	String
.1.3.6.1.4.1.22626.1.2.1.3	Actual measured computed quantity	String
.1.3.6.1.4.1.22626.1.2.1.4	Actual measured atmospheric pressure	String
.1.3.6.1.4.1.22626.1.2.1.5	Temperature alarm state ("none", "high", "low")	String
.1.3.6.1.4.1.22626.1.2.1.6	Relative humidity alarm state	String
.1.3.6.1.4.1.22626.1.2.1.7	Computed quantity alarm state	String
.1.3.6.1.4.1.22626.1.2.1.8	Atmospheric pressure alarm state	String
.1.3.6.1.4.1.22626.1.2.1.9	Temperature unit	String
.1.3.6.1.4.1.22626.1.2.1.10	Relative humidity unit	String
.1.3.6.1.4.1.22626.1.2.1.11	Computed quantity unit	String
.1.3.6.1.4.1.22626.1.2.1.12	Atmospheric pressure unit	String
.1.3.6.1.4.1.22626.1.2.2		
.1.3.6.1.4.1.22626.1.2.2.1	Device name	String
.1.3.6.1.4.1.22626.1.2.2.2	Device serial number	String
.1.3.6.1.4.1.22626.1.2.2.3	Device type	String
.1.3.6.1.4.1.22626.1.2.3		
.1.3.6.1.4.1.22626.1.2.3.1	Actual measured temperature	Int*10
.1.3.6.1.4.1.22626.1.2.3.2	Actual measured relative humidity	Int*10
.1.3.6.1.4.1.22626.1.2.3.3	Actual measured computed quantity	Int*10
.1.3.6.1.4.1.22626.1.2.3.4	Actual measured atmospheric pressure	Int*X
.1.3.6.1.4.1.22626.1.2.3.5	Temperature alarm (0–none, 1–high, 2–low)	Integer
.1.3.6.1.4.1.22626.1.2.3.6	Relative humidity alarm state	Integer
.1.3.6.1.4.1.22626.1.2.3.7	Computed quantity alarm state	Integer
.1.3.6.1.4.1.22626.1.2.3.8	Atmospheric pressure alarm state	Integer
.1.3.6.1.4.1.22626.1.2.4		
.1.3.6.1.4.1.22626.1.2.4.1	Temperature low limit	Int*10
.1.3.6.1.4.1.22626.1.2.4.2	Temperature high limit	Int*10
.1.3.6.1.4.1.22626.1.2.4.3	Relative humidity low limit	Int*10
.1.3.6.1.4.1.22626.1.2.4.4	Relative humidity high limit	Int*10
.1.3.6.1.4.1.22626.1.2.4.5	Computed quantity low limit	Int*10
.1.3.6.1.4.1.22626.1.2.4.6	Computed quantity high limit	Int*10
.1.3.6.1.4.1.22626.1.2.4.7	Temperature time-delay	Integer
.1.3.6.1.4.1.22626.1.2.4.8	Relative humidity time-delay	Integer
.1.3.6.1.4.1.22626.1.2.4.9	Computed quantity time-delay	Integer
.1.3.6.1.4.1.22626.1.2.4.10	Temperature hysteresis	Int*10
.1.3.6.1.4.1.22626.1.2.4.11	Relative humidity hysteresis	Int*10
.1.3.6.1.4.1.22626.1.2.4.12	Computed quantity hysteresis	Int*10
.1.3.6.1.4.1.22626.1.2.4.13	Atmospheric pressure low limit	Int*X
.1.3.6.1.4.1.22626.1.2.4.14	Atmospheric pressure high limit	Int*X
.1.3.6.1.4.1.22626.1.2.4.15	Atmospheric pressure time-delay	Integer

.1.3.6.1.4.1.22626.1.2.4.16	Atmospheric pressure hysteresis	Int*X
.1.3.6.1.4.1.22626.1.5.5.1.0	SNMP Trap	String
.1.3.6.1.4.1.22626.1.5.6.1.1.1.nr	Temperature history values	Int*10
.1.3.6.1.4.1.22626.1.5.6.1.1.2.nr	Relative humidity history values	Int*10
.1.3.6.1.4.1.22626.1.5.6.1.1.3.nr	Computed quantity history values	Int*10
.1.3.6.1.4.1.22626.1.5.6.1.1.4.nr	Atmospheric pressure history values	Int*X

When alarm occurred a warning messages (trap) can be sent to selected IP addresses. Addresses can be set using TSensor software or web interface. Traps are sent via **UDP** protocol on **port 162**. The device can send following traps:

Trap	Description	
0/0	Reset of the device	
1/0	Settings was changed	
6/0	Testing Trap	
6/1	NTP synchronization error	
6/2	E-mail sending error	SMTP server login error
6/3		SMTP authentication error
6/4		Some error occurred during SMTP communication
6/5		TCP connection to server cannot be opened
6/6		DNS error
6/7	SOAP message sending error	SOAP file not found inside web memory
6/8		MAC address can't be obtained from IP address
6/9		TCP connection to server cannot be opened
6/10		Wrong response code from the SOAP server
6/11 – 6/14	Upper alarm on channel	
6/21 – 6/24	Lower alarm on channel	
6/31 – 6/34	Clearing alarm on channel	
6/41 – 6/44	Measuring error	

Modbus TCP

Device supports Modbus protocol for communication with SCADA systems. Device use Modbus TCP protocol. **TCP port** is set to **502** by default. Port can be changed using TSensor software or web interface. Only two Modbus clients can be connected to device at one moment. Modbus device address (Unit Identifier) can be arbitrary. Modbus write command is not supported. Specification and description of the Modbus protocol is free to download on: www.modbus.org.

Supported Modbus commands (functions):

Command	Code	Description
Read Holding Register (s)	0x03	Read 16b register(s)

Modbus device registers. Address could be by 1 higher, depending on type used communication library:

Address [DEC]	Address [HEX]	Value	Type
49	0x0031	Measured temperature	Int*10
50	0x0032	Measured relative humidity	Int*10
51	0x0033	Measured computed quantity	Int*10
52	0x0034	Measured atmospheric pressure	Int*X
4149	0x1035	Serial number high	BCD
4150	0x1036	Serial number low	BCD
4151	0x1007	Device type	HEX
20481	0x5001	Temperature low limit	Int*10

20482	0x5002	Temperature high limit	Int*10
20483	0x5003	Relative humidity low limit	Int*10
20484	0x5004	Relative humidity high limit	Int*10
20485	0x5005	Computed quantity low limit	Int*10
20486	0x5006	Computed quantity high limit	Int*10
20487	0x5007	Temperature hysteresis	Int*10
20488	0x5008	Temperature time-delay	DEC
20489	0x5009	Relative humidity hysteresis	Int*10
20490	0x500A	Relative humidity time-delay	DEC
20491	0x500B	Computed quantity hysteresis	Int*10
20492	0x500C	Computed quantity time-delay	DEC
20493	0x500D	Temperature alarm state	String
20494	0x500E	Relative humidity alarm state	String
20495	0x500F	Computed quantity alarm state	String
20496	0x5010	Atmospheric pressure low limit	Int*X
20497	0x5011	Atmospheric pressure high limit	Int*X
20498	0x5012	Atmospheric pressure hysteresis	Int*X
20499	0x5013	Atmospheric pressure alarm state	String
20500	0x5014	Atmospheric pressure time-delay	DEC

Type:

DEC	register is in range 0 – 4500 (16bit)
BCD	register is in BCD format (16bit)
HEX	number in HEX format (16bit)
String	two characters in one 16bit register: no – no alarm hi – value is lower than set limit lo – value is higher than set limit
Int*10	register is in format integer*10 – 16 bits: (125=12.5°C; error = 9999 or -9999)
Int*X	register format depends on value type (error = -9999): hPa – integer*10 (9760 = 976.0hPa) PSI – integer*1000 (14156 = 14.156PSI) inHg – integer*100 (2882 = 28.82inHg) mBar – integer*10 (9761 = 976.1mBar) oz/in ² – integer*10 (2265 = 226.5oz/in ²) mmHg – integer*10 (7321 = 732.1mmHg) inH ₂ O – integer*10 (3919 = 391.9inH ₂ O) kPa – integer*100 (9761 = 97.61kPa)

SOAP

The device allows you to send currently measured values via **SOAP v1.1** protocol. The device sends values in XML format to the web server. The advantage of this protocol is that communication is initialized by the device side. Due to it is not necessary use port forwarding. If the SOAP message cannot be delivered, warning message via SNMP Trap or Syslog protocol is sent.

SOAP message example:


```

<?xml version="1.0" encoding="utf-8"?>
<soap:Envelope xmlns:soap="http://schemas.xmlsoap.org/soap/envelope/"
  xmlns:xsi="http://www.w3.org/2001/XMLSchema-instance"
  xmlns:xsd="http://www.w3.org/2001/XMLSchema">
  <soap:Body>
    <InsertTx5xxSample xmlns="http://cometsystem.cz/schemas/soapTx5xx_v2.xsd">
      <passKey>13960932</passKey>
      <device>4175</device>
      <temp>1.4</temp>
      <relHum>91.9</relHum>
      <compQuant>0.3</compQuant>
      <pressure>-9999</pressure>
      <alarms>hi,no,no,no</alarms>
      <compType>Dew point</compType>
      <tempU>C</tempU>
      <pressureU>n/a</pressureU>
      <timer>60</timer>
    </InsertTx5xxSample>
  </soap:Body>
</soap:Envelope>

```

Element	Description	
<passKey>	Contains the device serial number (an eight digit number).	
<device>	Device type identification number (code):	
	Device	Code[DEC]
	EPD-T-INT-POE	4173
	EPD-T-POE	4174
	EPD-TRH-INT-POE	4175
	EPD-TRH-POE	4176
	EPD-TRHP-INT-POE	4177
	EPD-TRHP-POE	4178
<temp>	Contains the value of temperature (a decimal part of number is separated by a dot). Error on channel is signaled by 9999 or -9999 .	
<relHum>	Contains the value of relative humidity. Error value: 9999 or -9999 .	
<compQuant>	Contains the value of computed quantity. Error value: 9999 or -9999 .	
<pressure>	Contains the value of atmospheric pressure. Error value: -9999 .	
<alarms>	State of alarm on temperature, relative humidity, computed quantity and pressure channel. Format: tm,rh,cq,pr where: tm – temperature alarm, rh – relative humidity alarm, cq – computed quantity alarm, pr – atmospheric pressure alarm and alarm values: no – no alarm or value is not supported, hi – high alarm, lo – low alarm.	
<compType>	Computed quantity type: Absolute humidity, Specific humidity, Mixing proportion, Specific enthalpy, Dew point or n/a .	
<tempU>	Temperature and dew point unit. Values: C – temperature in °C, F – temperature in °F.	

<pressureU>	Atmospheric pressure unit. Values: hPa, PSI, inHg, mBar, oz/in², mmHg, inH2O and kPa .
<timer>	SOAP sending interval [sec].

Example of the web service for incoming SOAP messages from Web Sensor EPD-xxxxxx-POE. Example uses Apache (2.2.10) web server and PHP (5.2.6). It is required to install and enable SOAP extension for PHP. This example store incoming messages to the hard drive:

```
<?
function InsertTx5xxSample($passKey,$device,$temp,$relHum,$compQuant,$pressure,
                           $alarms,$compType,$tempU,$pressureU,$timer) {
    $data = "Time: ".StrFTime("%y/%m/%d %H:%M:%S", Time()).", Temp: ".$temp.
           ", RH: ".$relHum.", CQ: ".$compQuant.", Pressure: ".$pressure."\n";
    $file_write = FOpen("soap.log", "a");
    FWrite($file_write, $data);
    FClose($file_write);
}
$server = new SoapServer(null, array('uri' => "http://test-uri/"));
$server->addFunction('InsertTx5xxSample');
$server->handle();
?>
```

Syslog

The device allows sending text message to selected Syslog server. Events are send using **UDP** protocol on **port 514**. Syslog protocol implantation is according to RFC5424 and RFC5426. Events when Syslog messages are send:

Text	Event
Sensor - fw 1-5-5.x	Reset of the device
Settings changed	Settings was changed
NTP synchronization error	NTP synchronization error
Testing message	Test Syslog message
Email login error	E-mail sending error
Email auth error	
Email some error	
Email socket error	
Email dns error	
SOAP file not found	SOAP message sending error
SOAP host error	
SOAP sock error	
SOAP delivery error	
Text XXXX is set according channel type: Temperature, Relative humidity, Specific humidity, Mixing proportion, Specific enthalpy, Atmospheric pressure.	
High alarm XXXX	Upper alarm on channel
Low alarm XXXX	Lower alarm on channel
Clearing XXXX alarm	Clearing alarm on channel
Error XXXX	Measuring error

SNTP

The device allows time synchronization with NTP (SNTP) server. SNTP protocol version 3.0 is supported (RFC1305). Time synchronization is made every 24 hours. Time synchronization every hour can be enabled. For time synchronization it is necessary set IP address to the SNTP server. It is also possible set GMT offset for correct time zone. Time is used in graphs and history CSV files. Maximum jitter between two time synchronization is 90sec at 24 hours interval.

Troubleshooting

The chapter describes the common problems with devices Web Sensor EPD-xxxxxx-POE and methods how to fix these problems. Please read this chapter before you will call technical support.

I forgot the device IP address

IP address is factory set to **192.168.1.213**. If you had changed it and forgot new IP address, run the TSensor software and press **Find device...** In the window are displayed all available devices.

I cannot connect to the device

In search window is only IP and MAC address displayed

Other details are marked **N/A**. This problem occurs if IP address of the device is set to another network.

Select the window **Find device** in TSensor software and press **Change IP address**. Follow the software instructions. To assign IP address automatically using DHCP server, set the device IP address to **0.0.0.0**.

Device IP address is not displayed in window Find device

In TSensor software menu press **Help! My device was not found!** in window **Find device**. Follow the software instructions. MAC address of the device can be found on product label.

The device is not found even after manually setting MAC address

This problem occurs especially in cases when the IP address of the device belongs to another network and also Subnet mask or Gateway are incorrect.

In this case is DHCP server in the network necessary. In TSensor software menu press **Help! My device was not found!** in window **Find device**. As new IP address set **0.0.0.0**.

Follow the software instructions. An alternative is to reset device to factory defaults using factory-defaults button.

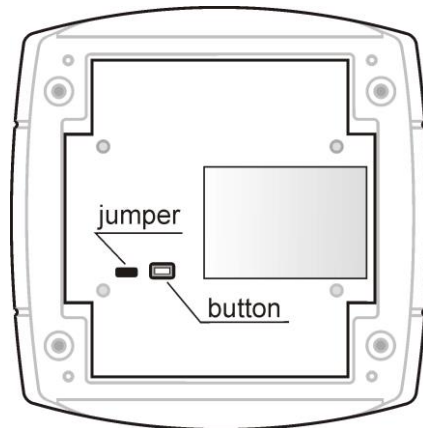
I forgot the password for setup

Please reset device to factory defaults. Procedure is described at following point.

Factory defaults

This procedure restore device to factory settings including network parameters (IP address, Subnet mask, etc.). Settings relating to measurement are not restored by factory defaults. For factory-defaults follow these steps:

- disconnect the power supply
- unscrew upper cover of the device case
- close the jumper inside device
- press button inside device and power on device at same time
- keep the button pressed for 10 sec



- close the device

Display is off

Check if power supply is connected. Disconnect power connector and connect connector again – watch the display at the moment of connecting the power. If all LCD segments light for 1 second and go out again, the display is turned off by software.

Device error states

Device still make self-tests. If error occurred, LCD shows error codes:

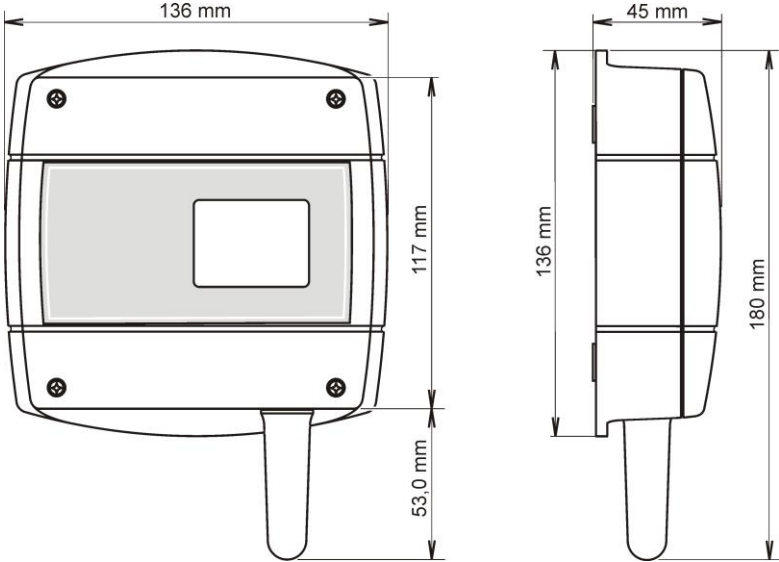
Error	LCD display	Description
Error 0	Err0	Internal memory CRC error. In this state device doesn't work. This is a critical error, contact the distributor.
Error 1	Err1	Measured or computed quantity is over the upper limit. Error code 9999. This state appears in case of: <ul style="list-style-type: none">- Measured temperature is higher than approximately +600°C (i.e. high non-measurable resistance of temperature sensor, probably open circuit)- Relative humidity is higher than 100%RH (i.e. damaged humidity sensor or humidity calculation is not possible due to temperature error)- Unable to calculate computed quantity (temperature or humidity measurement error)
Error 2	Err2	Measured or computed quantity is under lower limit or is error in pressure measuring. Error code -9999. This state appears in case of: <ul style="list-style-type: none">- Measured temperature is lower than approximately -210°C (i.e. resistance is too small, probably short circuit)- Relative humidity is lower than 0%RH (i.e. damaged humidity sensor or humidity calculation is not possible due to temperature error)- Measured atmospheric pressure with offset is over range 300hPa to 1350hPa or the pressure sensor is damaged- Unable to calculate computed quantity (temperature or humidity measurement error)
Error 3	Err3	Internal A/D converter error. Error code -9999. In this state device doesn't work. Contact the distributor.
Error 4	Err4	Internal pressure sensor error. Error code -9999. In this state device not measure pressure. Contact the distributor.

Technical specifications

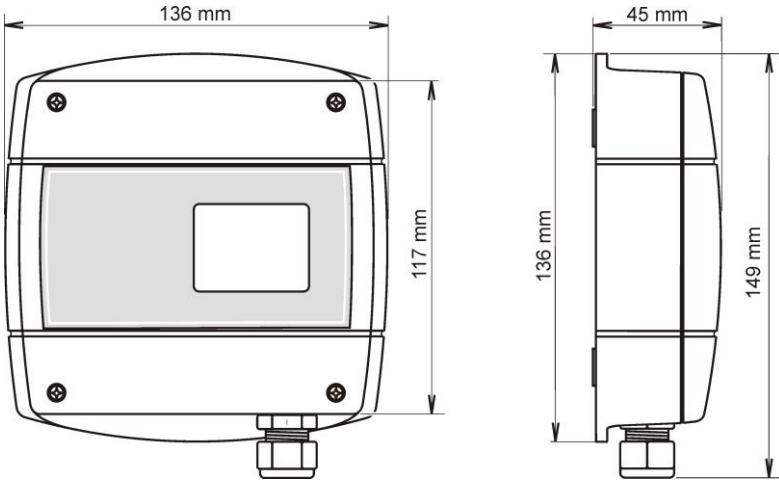
Information about technical specifications of the device.

Dimensions

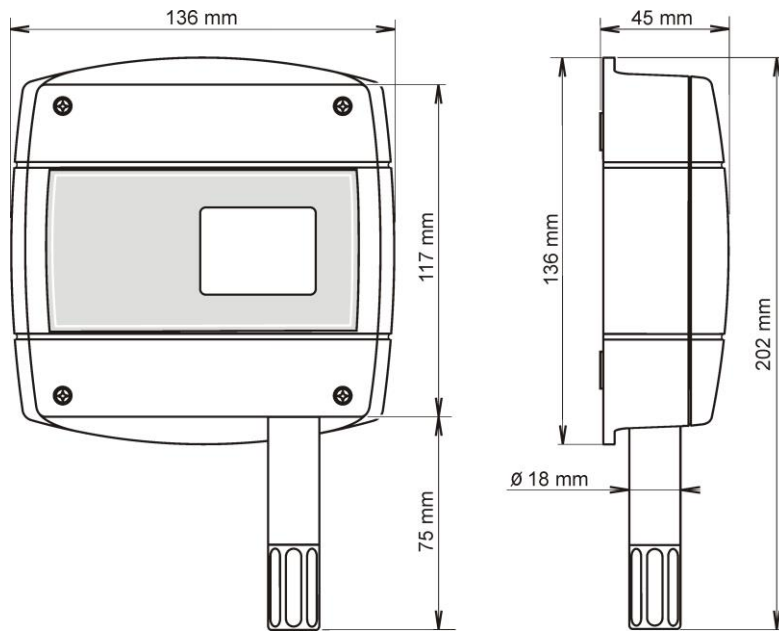
Web Sensor EPD-T-INT-POE:



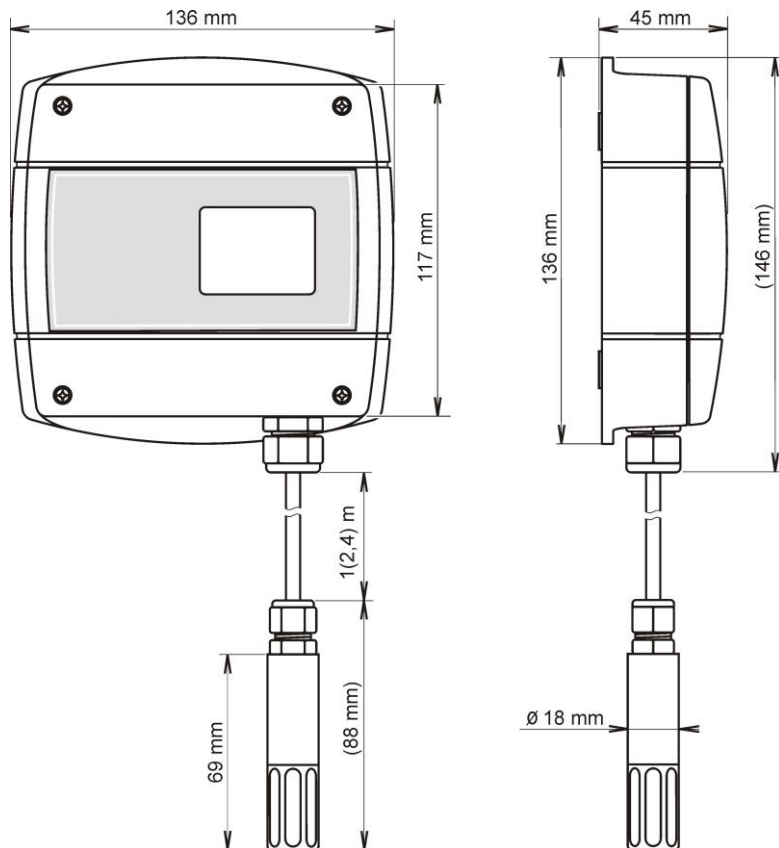
Web Sensor EPD-T-POE:



Web Sensor EPD-TRH-INT-POE, EPD-TRHP-INT-POE:



Web Sensor EPD-TRH-POE, EPD-TRHP-POE:



General parameters

Supply voltage:	Power over Ethernet according to IEEE 802.3af, PD Class 0 (max. 15.4W), voltage from 36V to 57V DC. For PoE are used pairs 1, 2, 3, 6 or 4, 5, 7, 8. or DC voltage from 4.9V to 6.1V, coaxial connector, 5x 2.1mm diameter, positive pole in the middle, min. 250mA
Consumption:	~ 1W depending on the operating mode
Measuring interval:	2sec
Display switching interval:	4sec (when more than two values are displayed)
Not allowed manipulations:	It is not allowed to operate the device under conditions other than specified in technical parameters. Devices are not designed for locations with chemically aggressive environment. Temperature and humidity sensors must not be exposed to direct contact with water or other liquids. It is not allowed to remove the sensor cover to avoid any mechanical damage of the sensors.
Case material:	ABS
Weight:	EPD-T-INT-POE ~310g EPD-T-POE ~310g EPD-TRH-INT-POE ~320g EPD-TRHP-INT-POE ~320g EPD-TRH-POE/1m probe ~380g, EPD-TRH-POE/2m probe ~420g, EPD-TRH-POE/4m probe ~500g EPD-TRHP-POE/1m probe ~380g, EPD-TRHP-POE/2m probe ~420g, EPD-TRHP-POE/4m probe ~500g
Mounting the device:	With two holes at the bottom of the unit
Communication port:	RJ45 connector, 10Base-T/100Base-TX Ethernet (Auto-Sensing)
Recommended Connector Cable:	for industrial use is recommended Cat5e STP cable, in less demanding applications can be replaced by Cat5 cable, maximum cable length 100m
Supported protocols:	TCP/IP, UDP/IP, ARP, ICMP, DHCP, TFTP, DNS HTTP, SMTP, SNMPv1, ModbusTCP, SNTP, SOAPv1.1, Syslog
Supported web browsers:	Internet Explorer 9, Mozilla Firefox 12 and later, Google Chrome 18 and later, Opera 11 and later, Safari 5 and later. Device should be also compatible with other browsers. Functionality wasn't tested with other web browsers.
Recommended minimum screen resolution:	1024 x 768
Memory:	1000 values for each channel inside non-backup RAM memory
EMC:	EN 61326-1, EN 55011

Measured values

Type	Temperature	Relative humidity	Pressure	Computed quantity
EPD-T-INT-POE	✓			
EPD-T-POE	✓			
EPD-TRH-INT-POE	✓	✓		✓
EPD-TRH-POE	✓	✓		✓
EPD-TRHP-INT-POE	✓	✓	✓	✓
EPD-TRHP-POE	✓	✓	✓	✓

Temperature measurement

Temperature and humidity measuring range is limited - see graph below.

Type	Operating temperature electronic	Accuracy of	Range	Resolution
EPD-T-INT-POE	-20 to +60°C (-4 to +140°F)	±0.6°C (±1.1°F)	-20 to +60°C (-4 to +140°F)	0.1°C (0.2°F)
EPD-TRH-INT-POE				
EPD-TRHP-INT-POE				
EPD-T-POE		±0.2°C (±0.4°F)	-200 to +600°C (-225 to +999°F)	0.1°C (0.2°F)
EPD-TRH-POE		±0.4°C (±0.7°F)	-30 to +105°C (-22 to +221°F)	0.1°C (0.2°F)
EPD-TRHP-POE				

Temperature response time with stainless steel sensor cover (F5200) in air flow 1m/s:

EPD-TRH-INT-POE, EPD-TRH-POE, EPD-TRHP-INT-POE, EPD-TRHP-POE $t_{90} < 6\text{min}$, temperature step 20°C

Temperature probe for Web Sensor EPD-T-POE:

Pt1000/3850ppm, connected by shielded cable max. length 10m

Relative humidity measurement

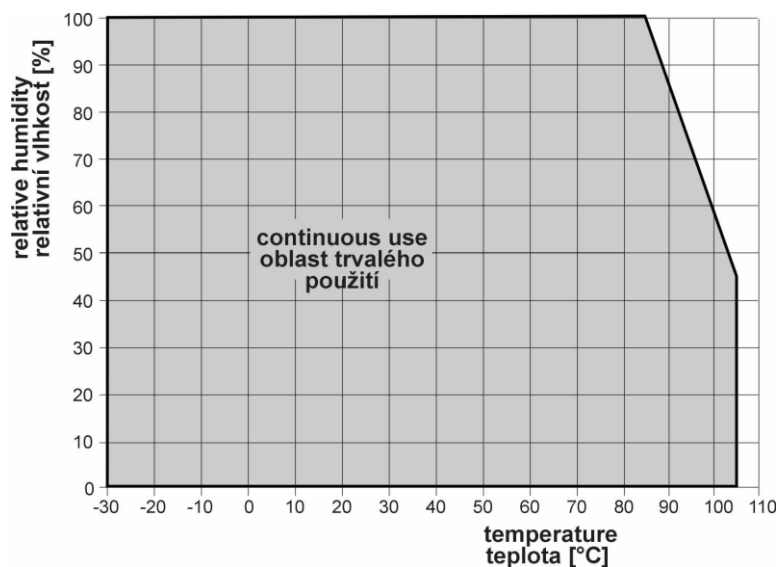
Temperature and humidity measuring range is limited - see graph below.

Type	Operating humidity of electronic	Accuracy	Range	Resolution
EPD-TRH-INT-POE	0 to 100%RH without condensation	$\pm 2.5\%RH$ in range 5 to 95%RH in 23°C (73.4°C)	0 to 100%RH temperature compensated	0.1%RH
EPD-TRHP-INT-POE				
EPD-TRH-POE				
EPD-TRHP-POE				

Humidity response time with stainless steel sensor cover (F5200) in air flow 1m/s:

$$t_{90} < 30s \text{ (humidity step } 65\%RH, \text{ constant temperature)}$$

Relative humidity and temperature restrictions:



Atmospheric pressure measurement

Unit	Range	Accuracy		
		T = 23°C	0 ≤ T ≤ 40°C	else
hPa	600 to 1100	± 1.3	± 1.5	± 2.0
mBar	600 to 1100	± 1.3	± 1.5	± 2.0
PSI	8.70 to 15.95	± 0.02	± 0.02	± 0.03
mmHg	450.0 to 825.1	± 1.0	± 1.1	± 1.5
inHg	17.72 to 32.48	± 0.04	± 0.04	± 0.06
inH ₂ O	240.9 to 441.6	± 0.5	± 0.6	± 0.8
$\pm oz/in^2$	139.2 to 255.3	± 0.3	± 0.3	± 0.5
kPa	60.00 to 110.00	± 0.13	± 0.15	± 0.20

Atmospheric pressure response time:

$t_{90} < 44s$ (Response time is selectable. More detail you find in calibration manual, which is included with TSensor software installation.)

Computed quantities

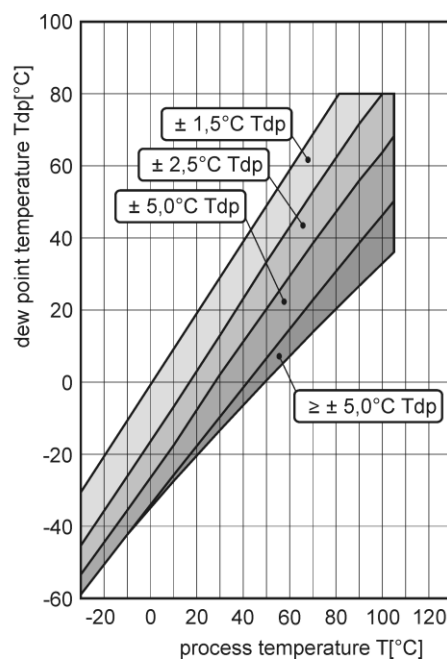
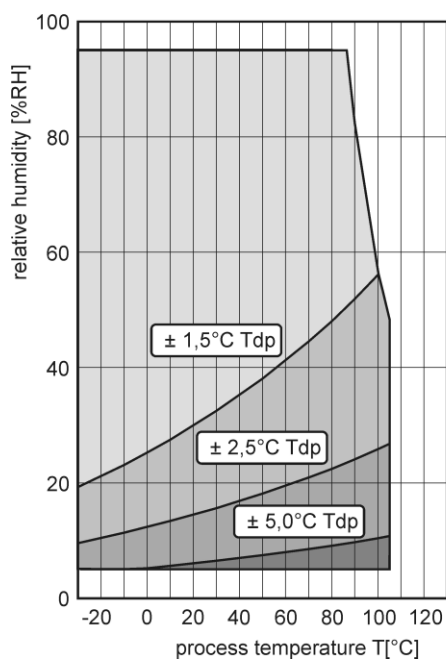
Dew point temperature

Range:

-60 to +80°C (-20 to 176°F)

Accuracy:

$\pm 1.5^{\circ}\text{C}$ ($\pm 2.7^{\circ}\text{F}$) at ambient temperature $T < 25^{\circ}\text{C}$ (77°F) a RH $> 30\%$, for more details see graphs:



Specific humidity

This value depends on atmospheric pressure. Pressure for quantities calculation is stored in device memory. Default value is 1013hPa and can be changed by software.

Range:

0 to 550g/kg

Accuracy:

$\pm 2.1\text{g/kg}$ at ambient temperature $T < 35^{\circ}\text{C}$ (95°F)

Mixing ratio

This value depends on atmospheric pressure. Pressure for quantities calculation is stored in device memory. Default value is 1013hPa and can be changed by software.

Range:

0 to 995g/kg

Accuracy:

$\pm 2.2\text{g/kg}$ at ambient temperature $T < 35^{\circ}\text{C}$ (95°F)

Specific enthalpy

This value depends on atmospheric pressure. Pressure for quantities calculation is stored in device memory. Default value is 1013hPa and can be changed by software.

Range:

0 to 995kJ/kg

Accuracy:

$\pm 4\text{kJ/kg}$ at ambient temperature $T < 25^{\circ}\text{C}$ (77°F)

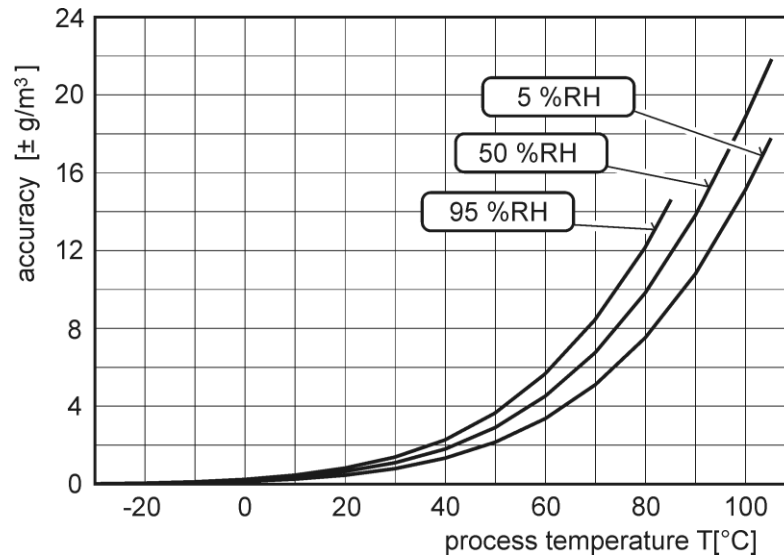
Absolute humidity

Range:

0 to 400g/m³

Accuracy:

±3g/m³ at ambient temperature T < 40°C (104°F), for more details see graph:



Operating terms

Temperature and humidity range in case with electronic:

-20°C to +60°C, 0 to 100%RH (no condensation)

Temperature and humidity range of external probe, cable including (EPD-TRH-POE, EPD-TRHP-POE):

-30 to +105°C, 0 to 100%RH (no condensation, limited by graph)

Temperature of Pt1000 probe (EPD-T-POE):

depends on probe model

Protection:

IP30 case with electronic

IP40 temperature-humidity probe (EPD-TRH-POE, EPD-TRHP-POE)

Other environmental conditions (external influences) according to HD 60364-5-51:

normal

Working position EPD-TRH-POE, EPD-T-POE, EPD-TRHP-POE:

arbitrary

Working position EPD-T-INT-POE, EPD-TRH-INT-POE, EPD-TRHP-INT-POE:

with sensor cover downwards. When mounting in RACK 19" with universal holder ATS-AC20 (optional accessories) then sensor cover can be placed horizontally.

End of operation



Disconnect the device and dispose it according to current legislation for dealing with electronic equipment. Electronic devices must be professionally destroyed in accordance with EU Directive 2002/96/ES of 27th January 2003.

Technical support and service

Technical support and service is provided by distributor. Contact is included in warranty certificate.

Preventive maintenance

Make sure the cables are not damaged periodically. We recommend you periodic calibration for measurement accuracy validation. Recommended calibration interval:

Type	Calibration interval
EPD-T-INT-POE	2 years
EPD-TRH-INT-POE	1 year
EPD-TRHP-INT-POE	1 year
EPD-TRH-POE	1 year
EPD-T-POE	2 years
EPD-TRHP-POE	1 year

Optional accessories

This chapter contains list of optional accessories, which can be ordered by extra cost. Manufacturer recommends using only original accessories.

Temperature probe Pt1000 for Web Sensor EPD-T-POE

Wide ranges of Pt1000/3850ppm probes are available as optional accessories. Please contact your local distributor to help you with choice of correct probe according your application.

Power supply Adapter EPD-AC01

Power supply adapter with CEE 7 plug, 100-240V 50-60Hz/5V DC, 1.2A for EPD-xxxxxx-POE Web Sensor. Adapter must be used if the device is not powered by Ethernet cable.

Probes holder for RACK 19" ATS-AC21

Universal holder for easy mounting probes in RACK 19".

Vessel for calibration of humidity and humidity standards

Vessel ATXV-AC15 is designed for adjustment and calibration of relative humidity. Vessel is used with humidity standards ATXV-AC16 10%RH and ATXV-AC17 80%RH.

Database software CDB-WIN

Database software CDB-WIN for online data collection and data analysis from Ethernet sensors. It contains all components for data acquisition from Web Sensor devices, including a one license of DBV-WIN Database Viewer. For more information please visit our webpages.